



**Wieland Short Guide
for Solar Power Installations**

Making the Sun Pluggable





Do everything

Components and solutions
for the DC and the AC side.



Plug everything

Simply plug & play
and the solar system works.



Withstand everything

Reliable protection from
IP 65 to IP 68.



Plug and Play for AC and DC

Wieland products provide the means of completely interconnecting photovoltaic systems – using the pluggable connectivity technology of **gesis**[®]SOLAR coupled with an extensive range of standard termination products. From the PV panel to the array to the combiner boxes – from the inverters through the distribution panels and directly into the electrical grid.



More efficient

Pluggability saves money. Pre-assembly of components and subassemblies reduces costs for the initial installation, and drastically minimizes costs for system extensions and service calls.

More customer specific

Our wide range of solar components facilitates application specific solutions. Value added services include the design and assembly of combiner boxes, distribution boxes, cable assemblies, and even make inverters pluggable.



More robust

Our pluggable technology has been proven a million times. **gesis**[®]SOLAR has been designed to meet the robust standards of IP 65 – IP 68 – and the termination technology has been developed to meet the demanding requirements of solar installations.

A well engineered system – watt by watt

Wieland's solar product offerings encompasses pluggable connectivity and compact termination technology – all well engineered, durable, and highly efficient.

Connectors **gesis**[®] DC-SOLAR



Cable assemblies **gesis**[®] DC-SOLAR



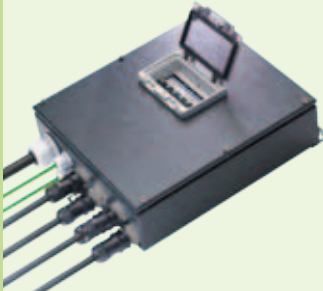
Connectors **gesis**[®] AC-SOLAR



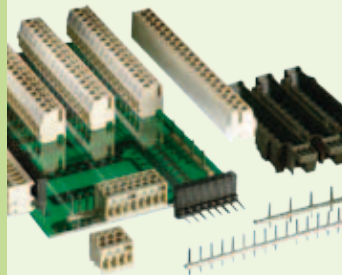
Cable assemblies **gesis**[®] AC-SOLAR



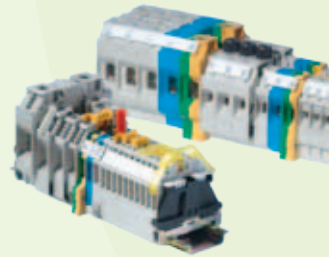
Distribution boxes **gesis**[®] RAN-SOLAR



PCB terminals and connectors **wiecon**



DIN rail terminal blocks **selos**



DIN rail terminal blocks **fasis**



Overvoltage protection **wietap**



Industrial multipole connectors **revos**



Inverters pluggable worldwide

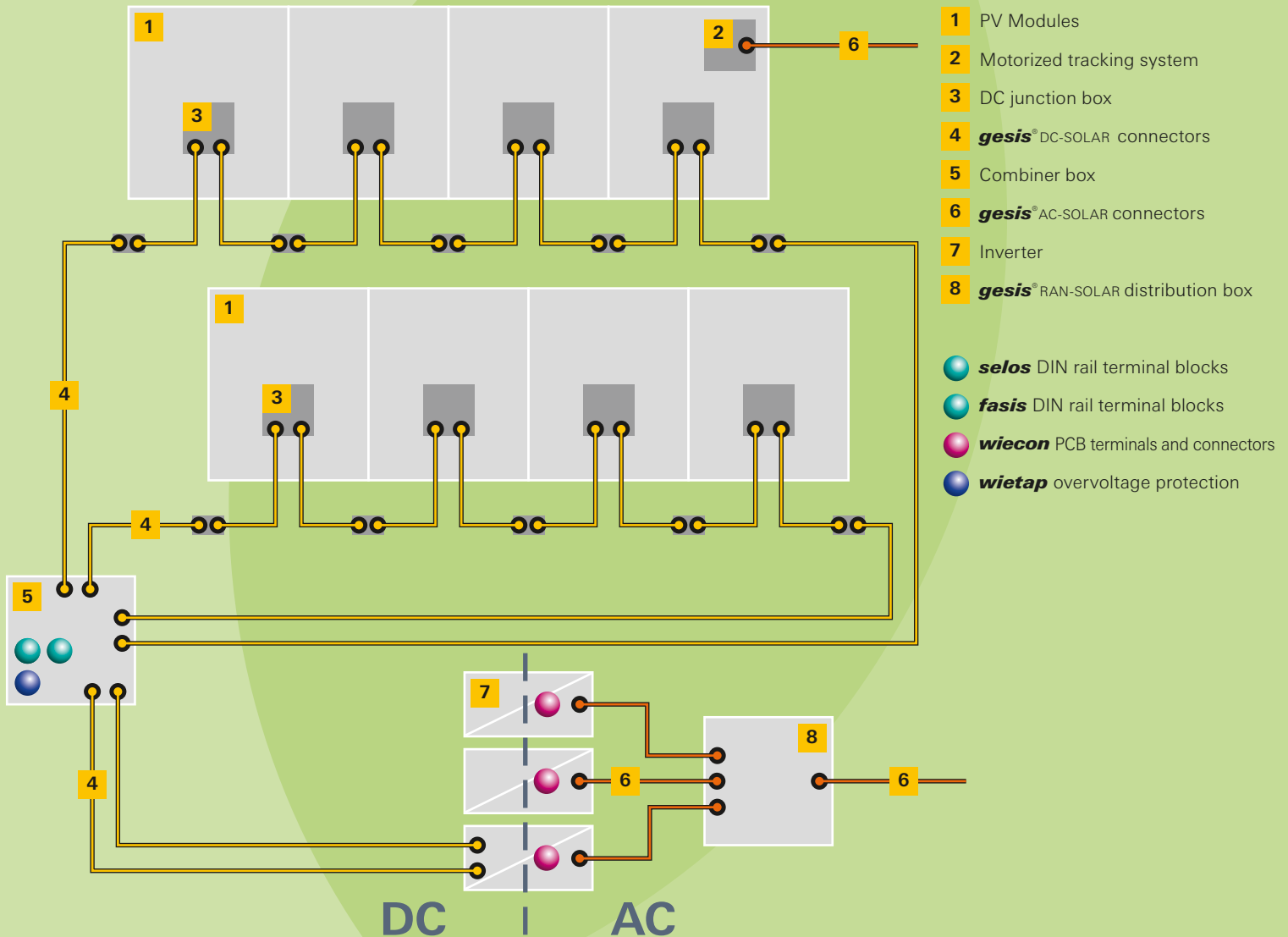


Customized **Combiner box**



A solution for everything

The solar product range from Wieland offers an efficient connectivity solution for all electrical termination points, in solar systems of every scale.



More information?

Would you like to get more information about the solar program from Wieland? Then simply request our detailed solar brochures.

www.wieland-electric.com



Wieland Electric GmbH
Brennerstraße 10 – 14
D-96052 Bamberg

Phone +49 (951) 9324-0
Fax +49 (951) 9324-198
www.wieland-electric.com

www.gesis.com
www.gesis-network.com
info@wieland-electric.com



wieland